
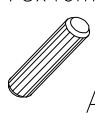


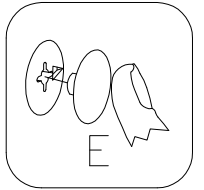
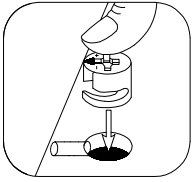
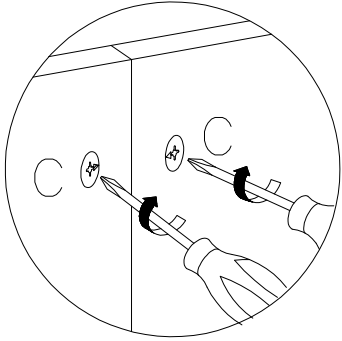
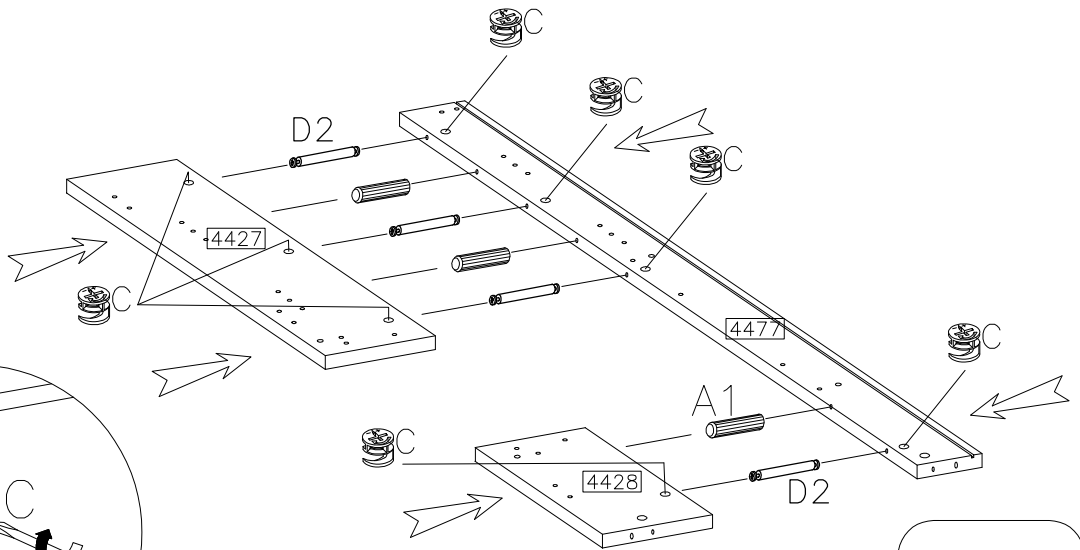



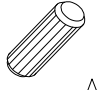
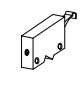


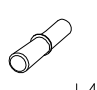
1

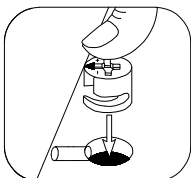
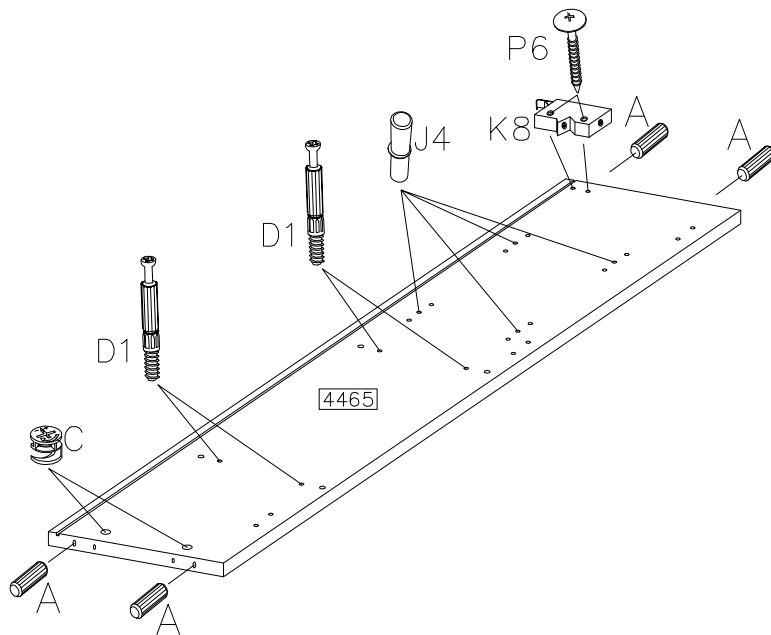
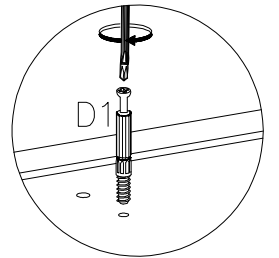
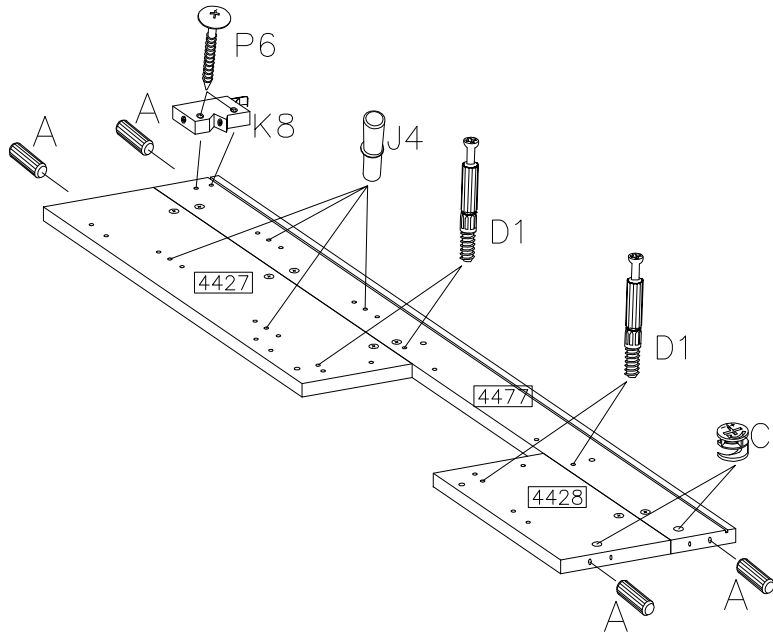
L-46	ø8x40mm
	
D2	A1
4	3

ø15/12mm		
C	E	
8	8	





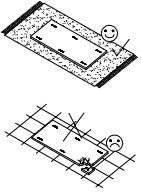
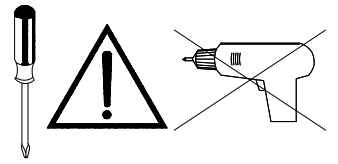
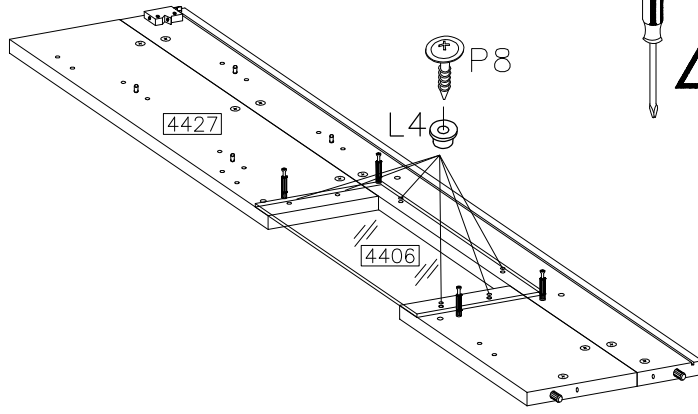
2

ø15/12mm	ø8x30mm
	
C	A
4	8
	ø3.5x30mm
K8	
2	P6
	
D1	J4
8	8

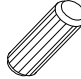


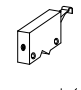



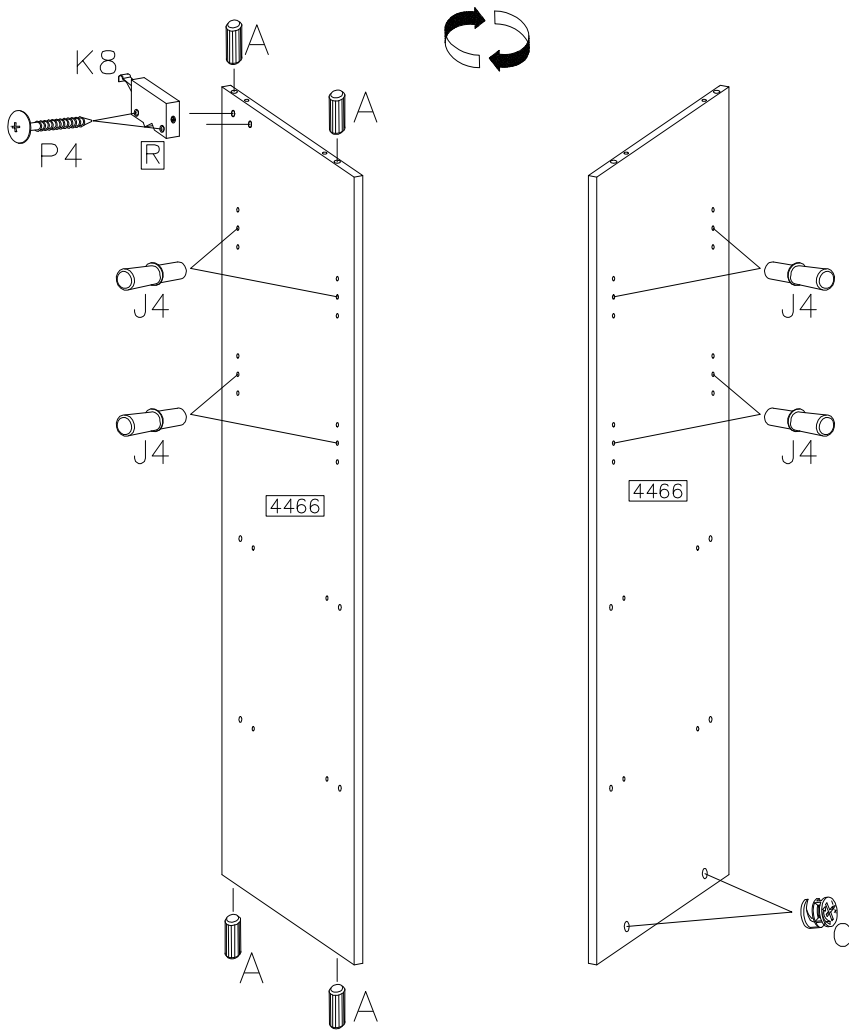
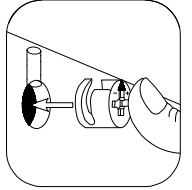
3

	ø4.0x16mm 
L4 6	P8 6




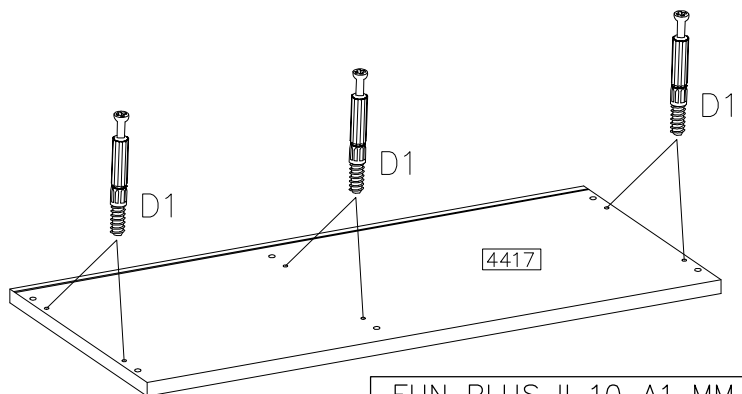
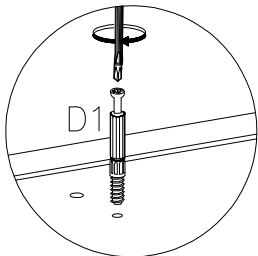
4

ø8x30mm 	ø15/12mm 			ø3.5x30mm 
A 4	C 2	J4 8	K8 1	P6 2



5


D1 6

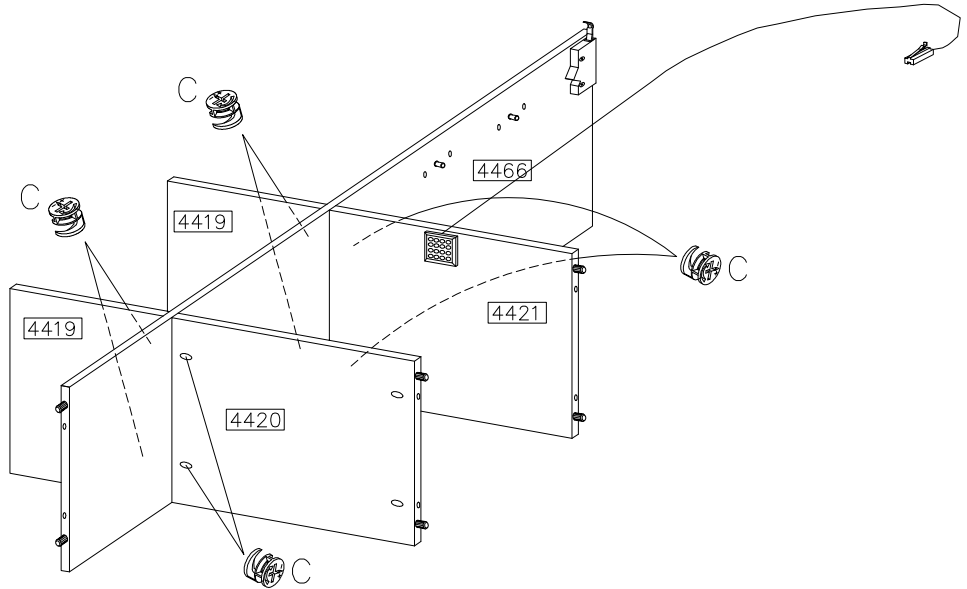
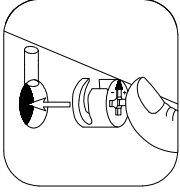
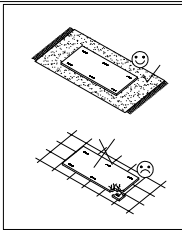
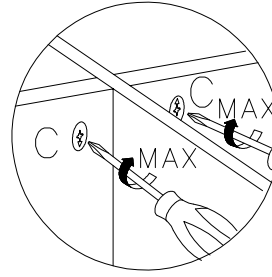
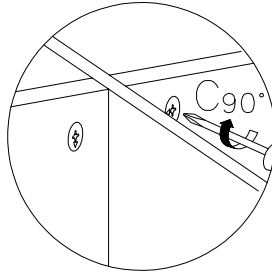
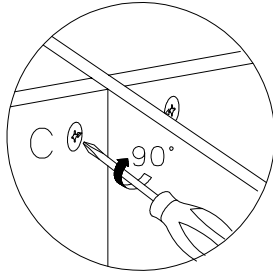
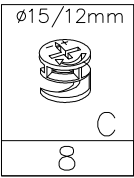


8

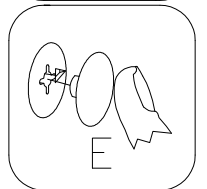
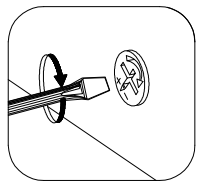
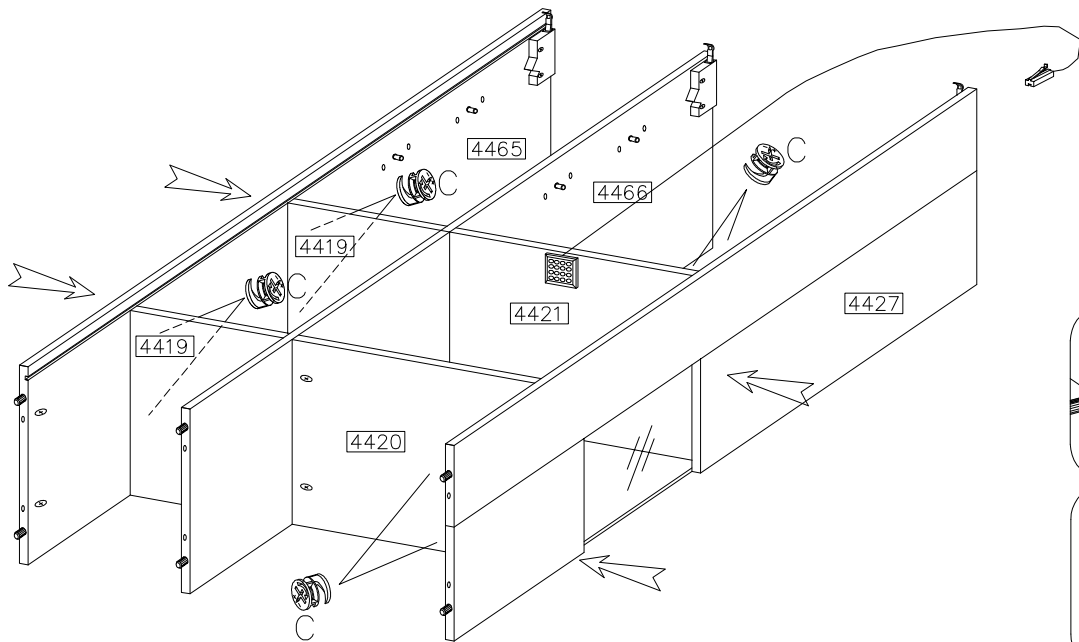
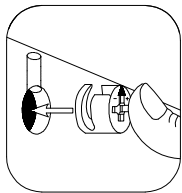
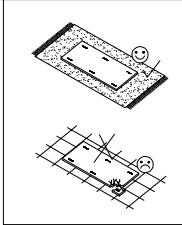
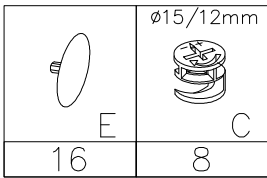
STEP-1

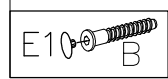
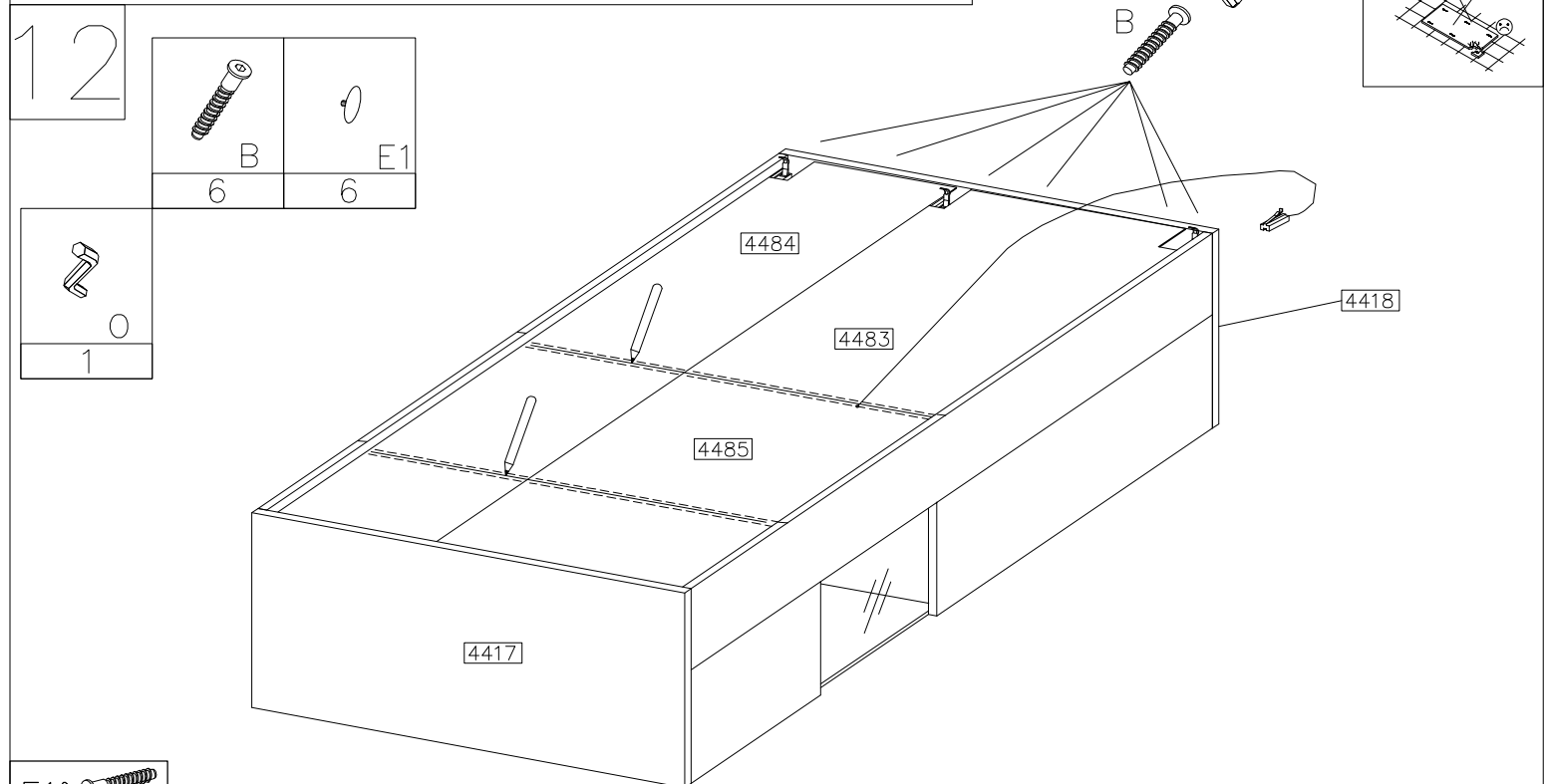
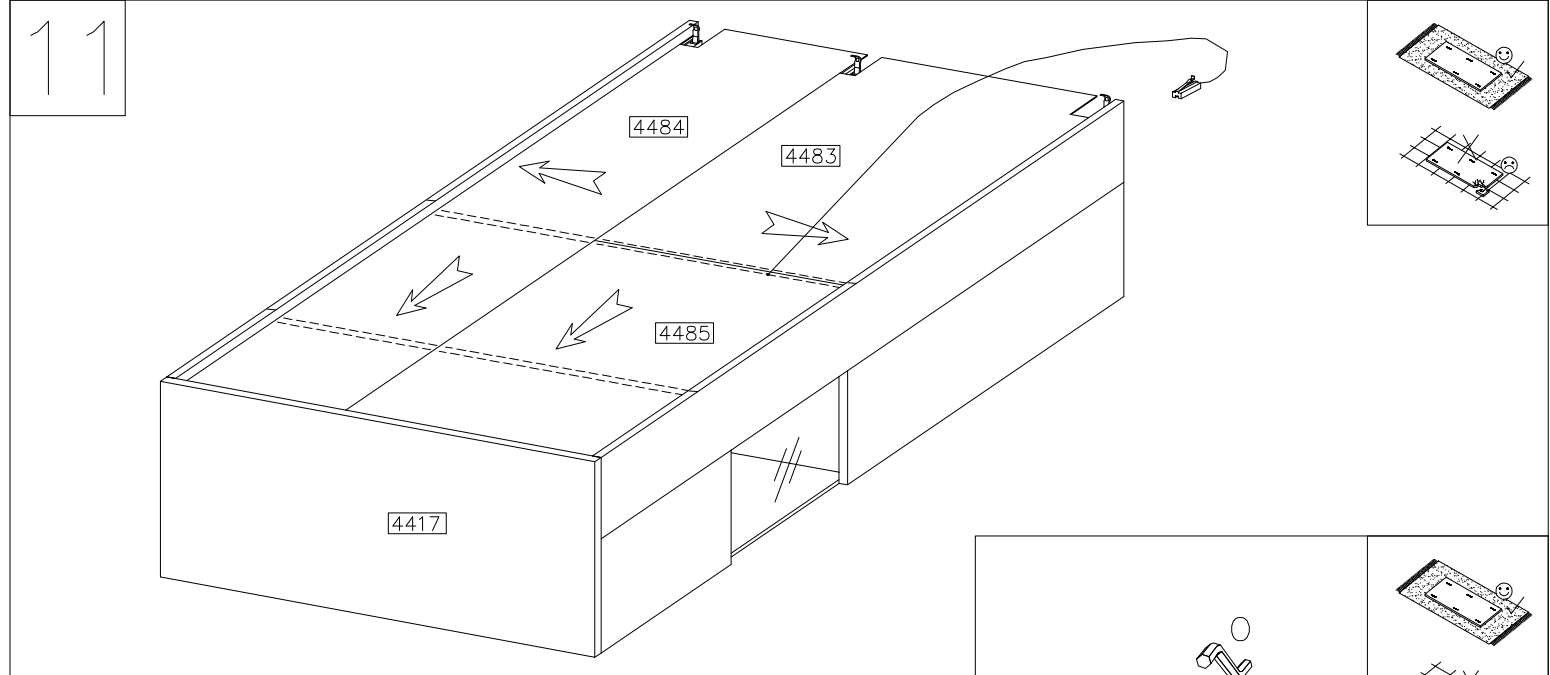
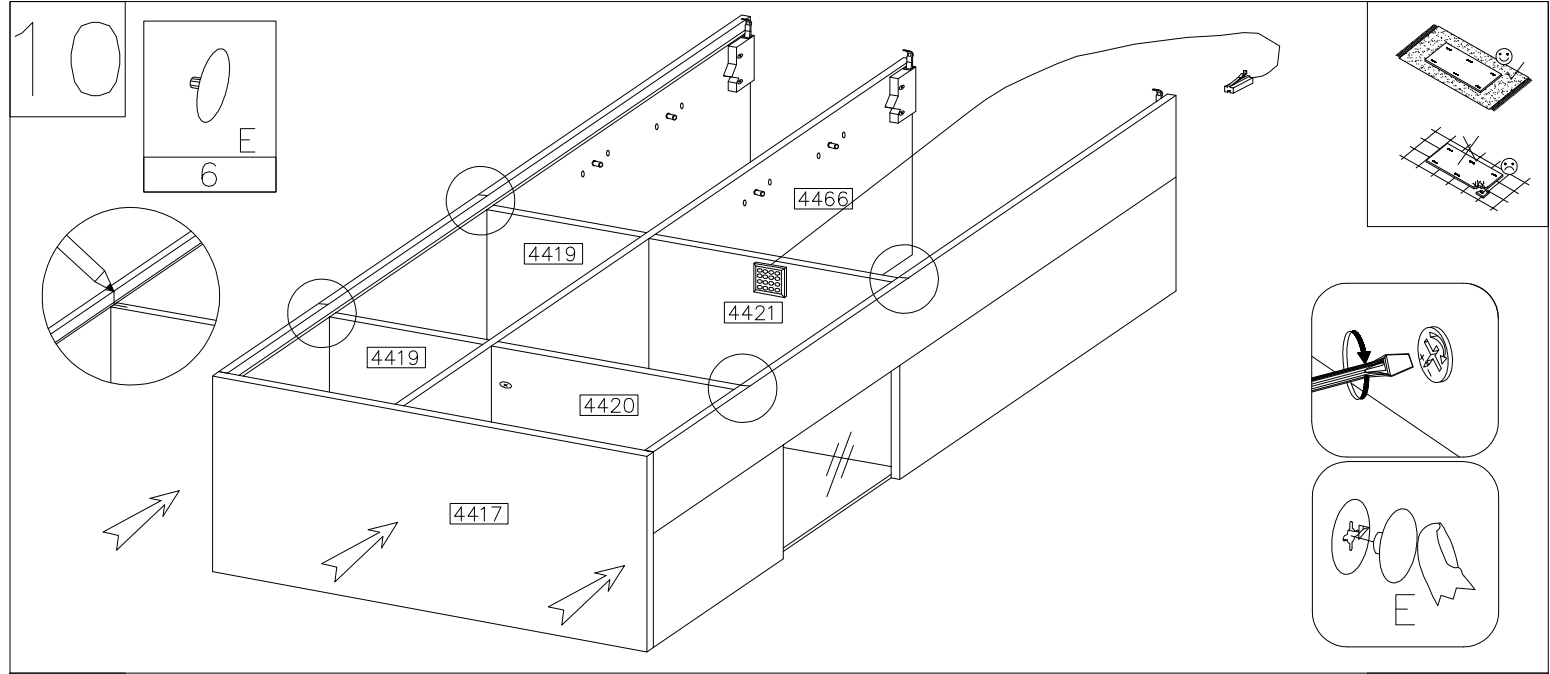
STEP-2

STEP-3

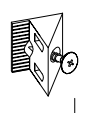



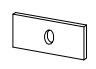
9

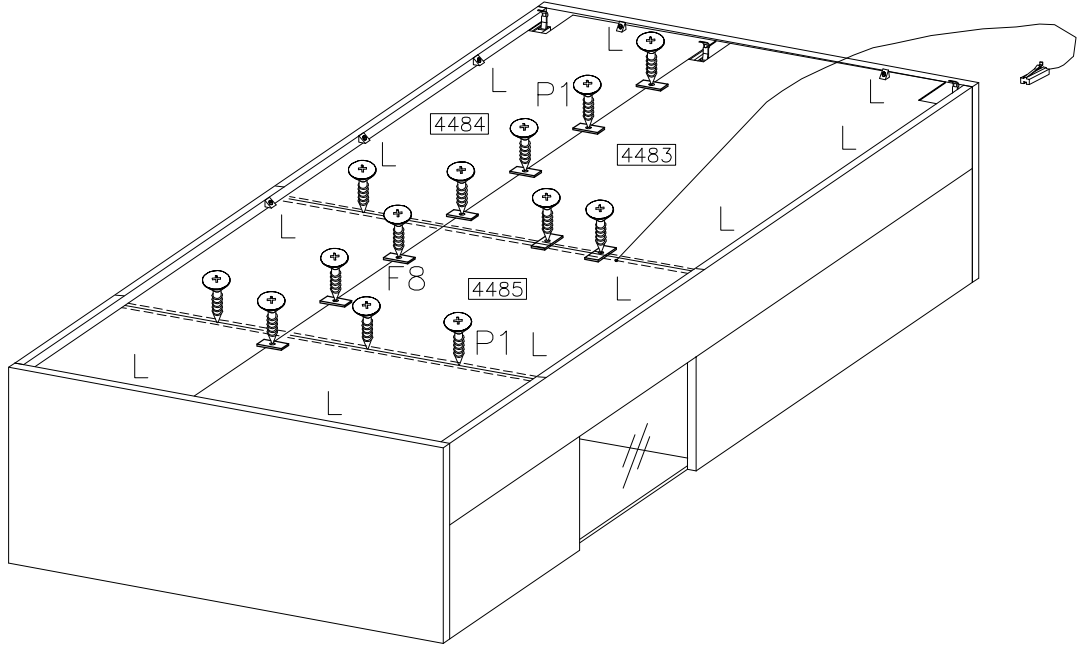
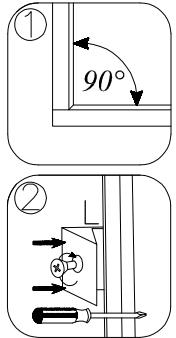








13

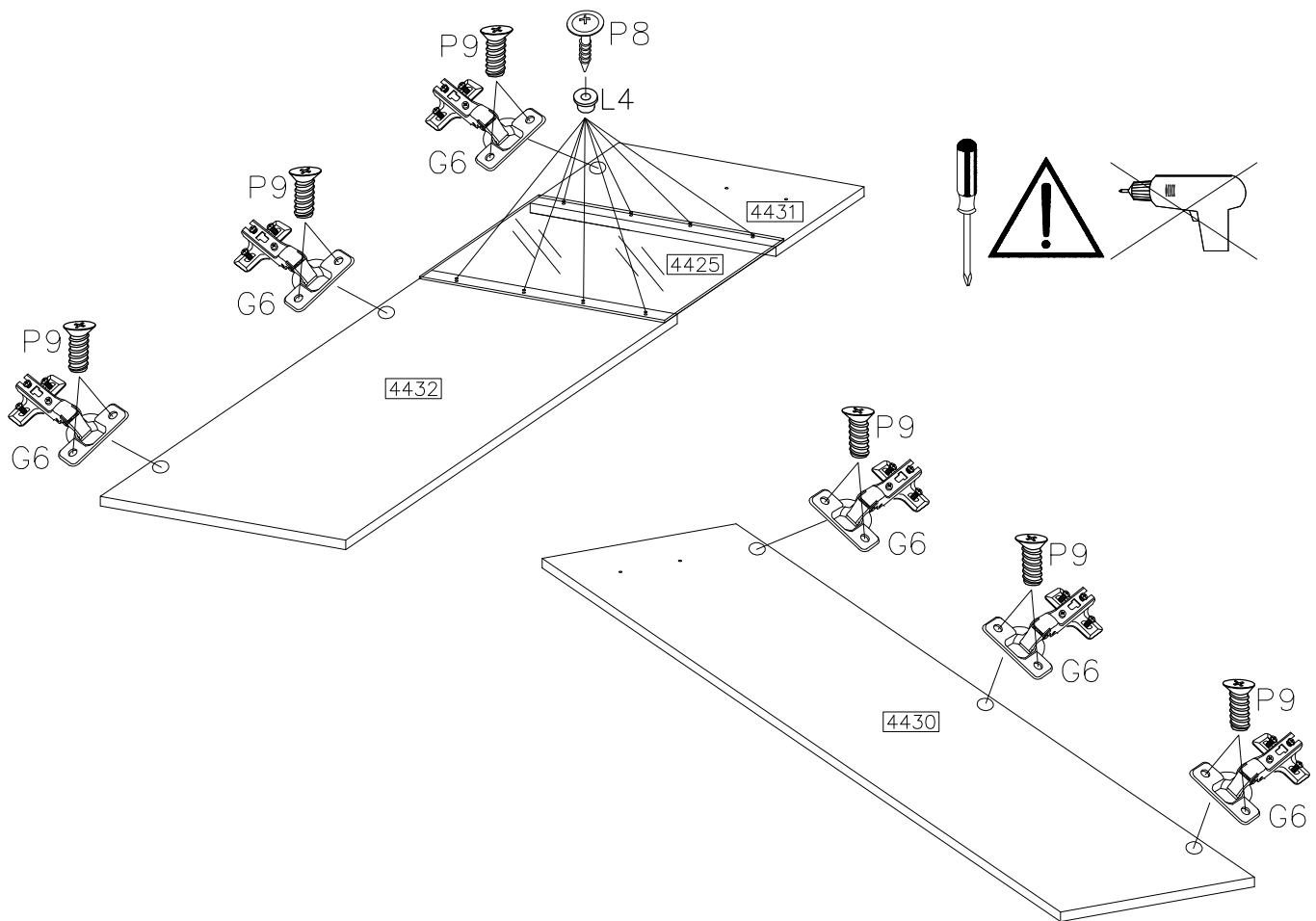
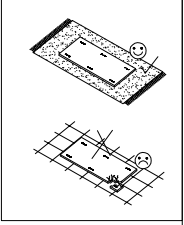
	L
10	
	∅3.0x16mm
F8	P1
12	16

	
F8	
12	

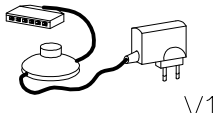






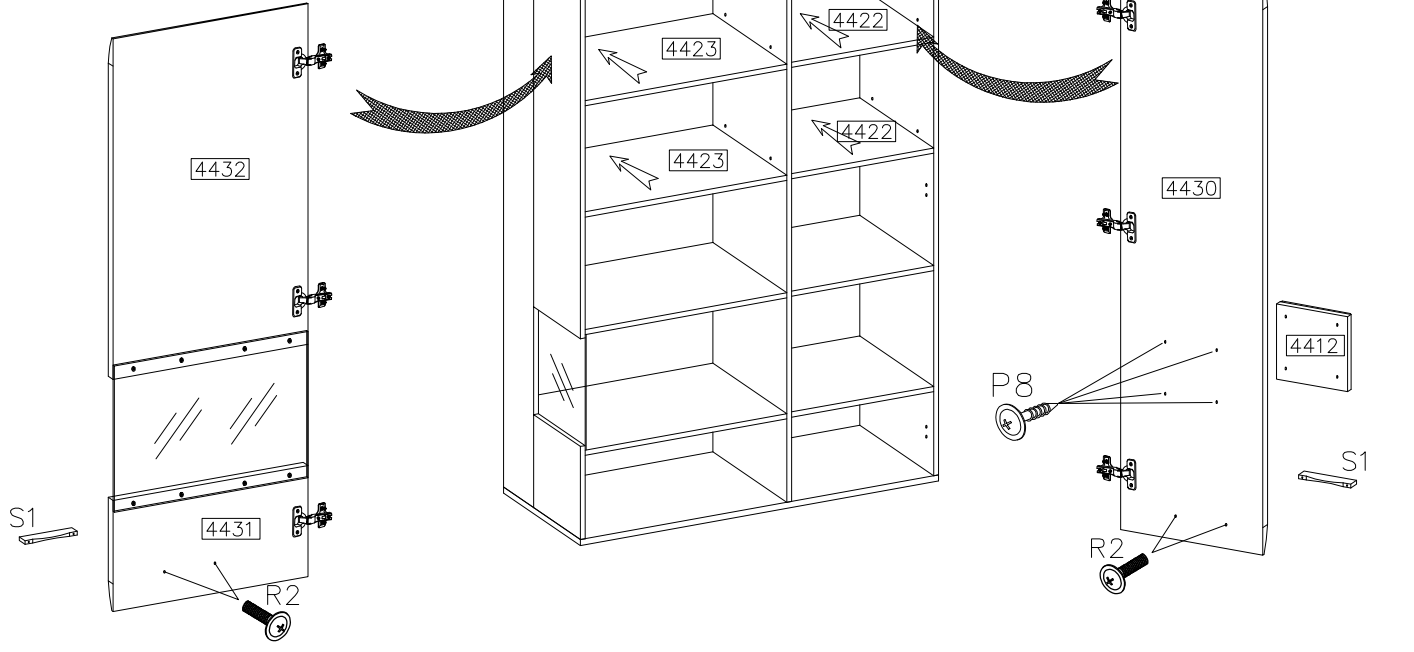
14

			
∅35/KR-0	5.0x13mm		∅4.0x16mm
G6	P9	L4	P8
6	12	8	8


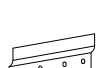


15

 V1		
1	 S1	
 P8	 R2	 S1
4	4	2



16

 Z1		 K9	
6	3		

